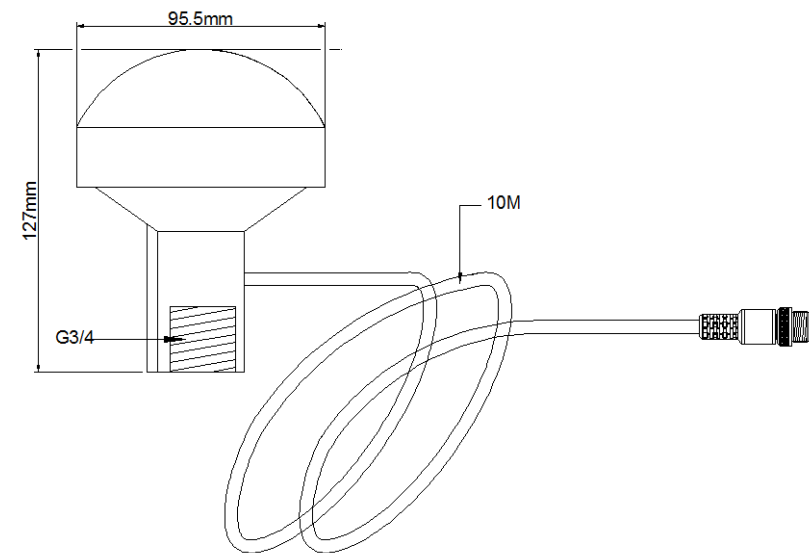


QK-AS07-N2K

NMEA 2000 GPS & HEADING SENSOR

GPS, GLONASS AND GALILEO POSITIONING

3-AXIS COMPASS HEADING



Disclaimer: This product is designed to aid navigation and should be used to augment normal navigational procedures and practices. It is the user's responsibility to use this product prudently. Neither Quark-elec, nor their distributors or dealers accept responsibility or liability either to the product user or their estate for any accident, loss, injury or damage whatsoever arising out of the use or of liability to use this product.

Email: info@quark-elec.com

v1.1(5/21)

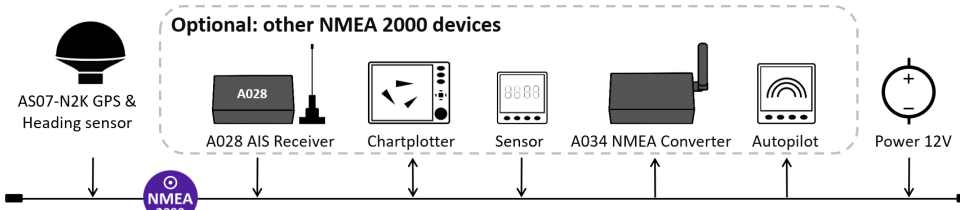
PLEASE NOTE: AS07-N2K supplied from 15 May 2021 onwards, include the Heading function



Please recycle your packaging

CE, RoHS certified
www.quark-elec.com

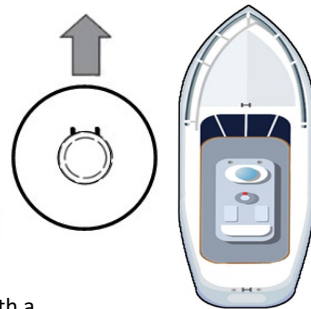
AS07-N2K INSTALLATION



The AS07-N2K connects directly to your NMEA 2000 backbone for power and data transfer. No other connections or configuration is required.

1. Mounting: Consider your locations

- **Sturdy outdoor location**, with 'line of sight' to the sky.
 - **As close to the vehicle/boat's center of gravity as possible.** Avoid mounting too high up, to ensure a more accurate compass reading.
 - **Minimum 0.3 metre from other compasses** (standard and steering).
 - **Minimum 2 metres from a VHF antenna.**
 - **Ensure the mounting location will not disrupt moving equipment** (eg. Radar)
 - **Do NOT install near ferrous metals** or anything that can create a magnetic field such as: magnetized materials, electric motors, electronic equipment, engines, generators, power/ignition cables, and batteries.
 - **Do not install within a steel/ magnetic container**, including not within the hull of a steel boat/vehicle.
 - **With the correct orientation.** AS07-N2K has two raised lines on the tube, the center point of these should be pointed straight forward, towards the front of the boat, as illustrated.
- If this is not possible, you can configure this adjustment to +90 to -90 degrees using the Windows configuration tool. (See the full manual for more details)
- The AS07-N2K has a standard G3/4 thread and is supplied with a corresponding base.
 - If drilling holes for screws and cabling, seal around any holes to prevent damage to your vessel or equipment.



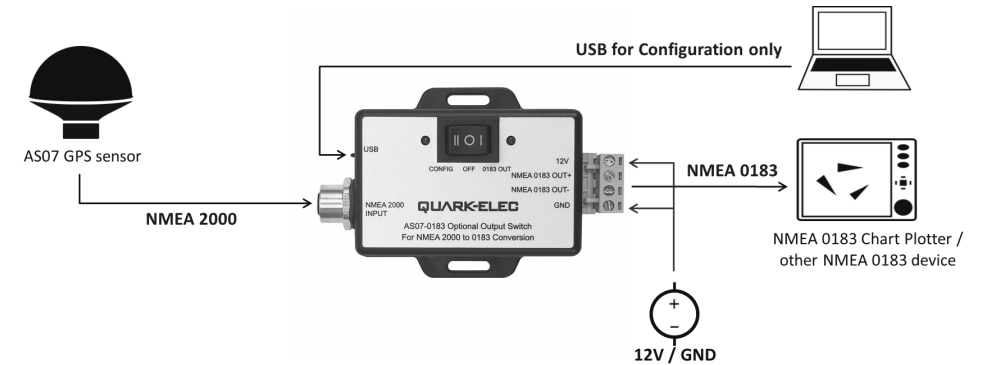
2. Disconnect all power sources before connecting your equipment!

3. Connect to your NMEA 2000 backbone (12.0V power)

The AS07-N2K draws 12.0V power from your NMEA 2000 backbone. You will need a backbone and 2 termination resistors (1 on each end), such as NMEA 2000 Starter Kit (www.quark-elec.com/product/nmea-2000-n2k-starter-kit/).

4. Re-power your NMEA 2000 backbone. The positional data will now be available to all devices on the NMEA 2000 bus.

USING THE OPTIONAL OUTPUT SWITCH (AS07-C)



The AS07-N2K can be used out of the box, for instant positional data to your NMEA 2000 bus. Alternatively, the AS07-N2K can be used with the AS07-C Optional Output Switch (pictured above).

The AS07-C can be used for,

A. Additional configuration (Windows PC software),

- Filtering of NMEA 2000 PGN messages, to eliminate unwanted data.
- Adjusting the frequency of NMEA 2000 data. The default setting is 1 Hz (data transferred once per second) The frequency can be set to 1/2/5/10 per second. 1Hz is the default setting and is generally recommended. Please note: 10 Hz may cause data overflow on the NMEA 2000 system.
- Compensating for installations where the sensor heading marker is positioned off of the direct course heading.

B. Backward compatibility with NMEA 0183 devices.

BEFORE LEAVING HOME:

We recommend pre-installing any needed Configuration software or drivers if needed, as you might not have a CD reader/internet access on site.

Not required for standard NMEA 2000 use with default settings.

Driver and Configuration software are for use with AS07-C, they are optional and only needed for specific features.

If using AS07-C for configuration or 0183 use you will need

- **Configuration software (Windows) required.**
- **Hardware driver may be required.** Driver required for Windows. If using Windows 10, the driver should install automatically, if not, it is included on the Free CD and at Quark-elec.com. Driver not required for Mac

Configuration software and specific instructions are on the FREE CD and at www.quark-elec.com.